

30SA/35SA Single Axle Utility Trailer

| | | | |
|----------------------------|--|----------------------|--|
| G.V.W.R. | 2,995# | Axle | 3,500# EZ Lube Axle w/ Brake Flanges |
| G.A.W.R. (Ea. Axle) | 2,995# | Supension | Multi-Leaf Spring |
| Coupler | 2" A-Frame | Tire | ST205/75R-15 Load Range C |
| Safety Chains | 1/4" Grd. 30 w/ Safety Latch Hook (2 ea) | Wheel | 15" x 5; White Spoke, 5 on 5 Bolt Pattern |
| Jack | 2,000# Top Wind (Bolted On) | Floor | 2" Treated Pine or Douglas Fir* |
| Tongue | 3" Channel | Lights | L.E.D. D.O.T. Stop, Tail, Turn & Clearance |
| Top Rail | 2" Pipe ON 30SA, 2-3/8" Pipe on 35SA | Elec. Plug | 4-Way Flat w/ Loom |
| Frame | 3" x 2" x 3/16" Angle | Finish (Prep) | Steel is Cleaned to Ensure a Professional, Smooth Finish |
| Crossmembers | 3" x 2" x 3/16" Angle | Finish | Superior Quality Finish is Applied for a Highly Decorative and Protective Finish |
| Uprights | 15" Tall Angle, 1-1/2" Angle (30SA), 2" Angle (35SA) | | |
| Fenders | 9" x 32" Rolled Formed w/ Back | | |

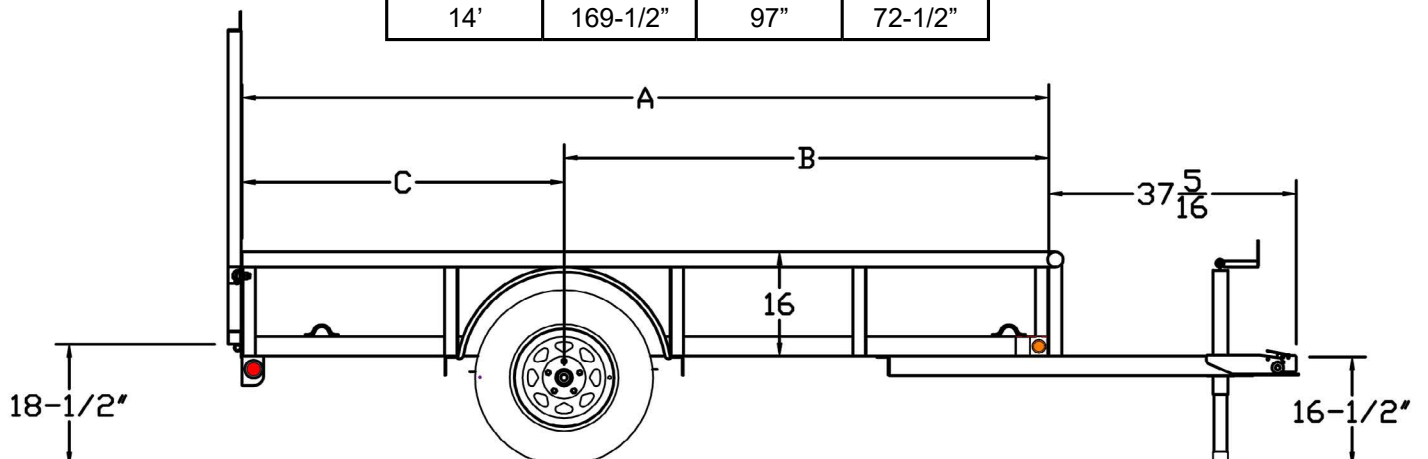
* Douglas Fir Available from Caldwell, ID Facility Only

Standard Features

- (4) Tie Down Loops Inside Bed
- EZ Lube Hubs
- Dexter Brand Axle
- Pipe Top Rail
- Grommet Mount Sealed Lighting
- L.E.D. Lighting Package
- Protected Wiring
- Radial Tires **NEW!**
- Brake Flanges on Axle for Easy Brake Addition
- Removable Sand Foot on Jack
- A-Frame Channel Tongue

Description

| Dimensions | | | |
|------------|----------|-----|---------|
| Length | A | B | C |
| 8' | 97-1/2" | 61" | 36-1/2" |
| 10' | 121-1/2" | 73" | 48-1/2" |
| 12' | 145-1/2" | 85" | 60-1/2" |
| 14' | 169-1/2" | 97" | 72-1/2" |



*Shown with optional rampgate.

30SA/35SA Single Axle Utility Trailer ●



Shown with optional rampgate and spare tire mount.

| ◆ Model | Weight* | Description |
|---------|---------|---------------------------------------|
| 30SA-08 | 663# | 60" x 08' Single Axle Utility Trailer |
| 30SA-10 | 723# | 60" x 10' Single Axle Utility Trailer |
| 30SA-12 | 813# | 60" x 12' Single Axle Utility Trailer |
| 30SA-14 | 903# | 60" x 14' Single Axle Utility Trailer |
| 35SA-10 | 893# | 77" x 10' Single Axle Utility Trailer |
| 35SA-12 | 983# | 77" x 12' Single Axle Utility Trailer |
| 35SA-14 | 1,073# | 77" x 14' Single Axle Utility Trailer |

*Weights shown are for base models without options and are estimates only

Optional Equipment

| Category | Description |
|---------------|---|
| COUPLERS | 2" Forged Coupler |
| BRAKES | Electric Brakes w/ Complete Brake-Away Kit |
| JACKS | 2,000# Fold-Up Jack |
| JACKS | Set Back Jack |
| TIRE/WHEEL | Spare Tire Mount (Side) |
| TIRE/WHEEL | Spare Tire & Wheel (ST205/75R-15 LR-C) |
| RAMPS | 4' Tall Rear Rampgate (30SA) |
| RAMPS | 4' Tall Rear Rampgate (35SA) |
| RAMPS | 5' Tall Rear Rampgate (30SA) |
| RAMPS | 5' Tall Rear Rampgate (35SA) |
| RAMPS | Gas Shock Assist Option for Rampgate |
| RAMPS | 4' Slide-In Ramp Package (35SA Only) |
| BODY | Car Hauler Style (No Side Rails) |
| BODY | V-Tongue Tilt Option |
| BODY | Enclose Sides w/ Expanded Metal (Per Square Foot) |
| BODY | Enclose Sides w/ Sheet Metal (Per Square Foot) |
| BODY | 2' High Sides (Open) |
| BODY | 3' High Sides (Open) |
| BODY | 4' High Sides (Open) |
| CARGO CONTROL | Tie Down Pockets (Each) |
| CARGO CONTROL | Additional Tie Loops (Each) |